

Call Today - 0161 303 3229

Fans@Stockbridge-Airco.com



STOCKBRIDGE
AIRCO
FSS LIMITED



FANS > Centrifugal > CHP

CHP (Centrifugal High Pressure)

Our CHP range of fans, are used for High Pressure applications such as Process cooling, air knife applications, fume/heat extraction, Aeration, Process drying etc.

There are three standard impeller designs that can be fitted to our CHP fans, one is a MAV (Light Dust), CAD (Clean Air) & DAX which can handle a greater amount of dust / dirt etc. As always these units come in Numerous sizes & widths.

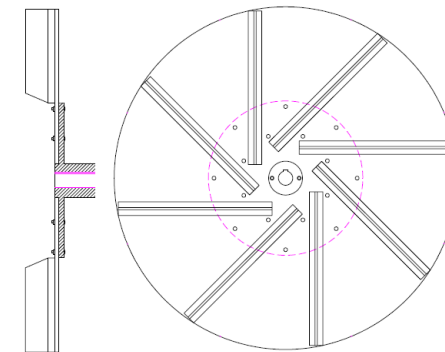
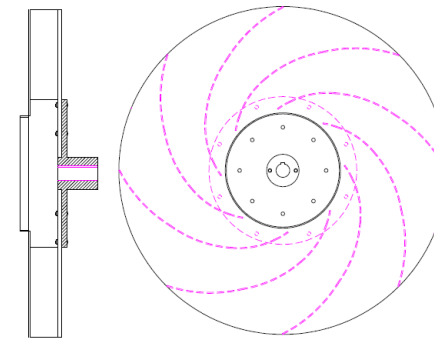
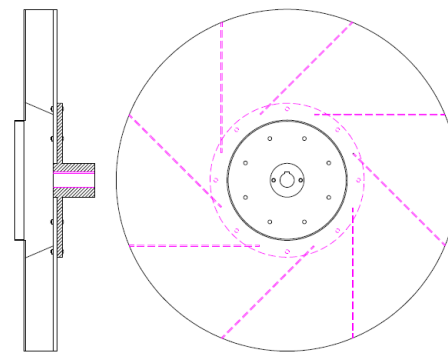
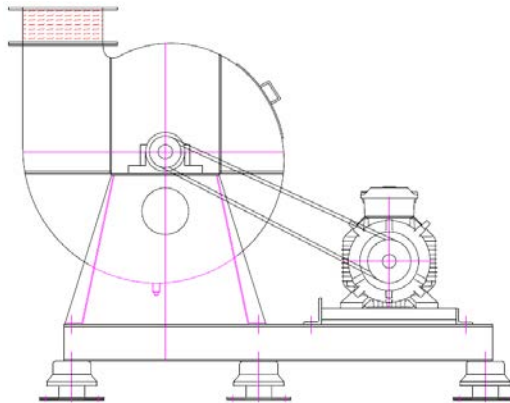
Our CHP Range

- ~CHP-MAV
- ~CHP-CAD
- ~CHP-DAX

**All our fans come in Belt or Direct drive arrangements and are covered by a 1Year Manufacturers Warranty.*

CHP ~ (Belt Drive)*

CHP - (MAV / CAD / DAX) Impellers



A leading global specialist in industrial fans and services

