

Call Today - 0161 303 3229

Fans@Stockbridge-Airco.com



STOCKBRIDGE  
**AIRCO**  
FSS LIMITED

## FANS > Centrifugal > CRD



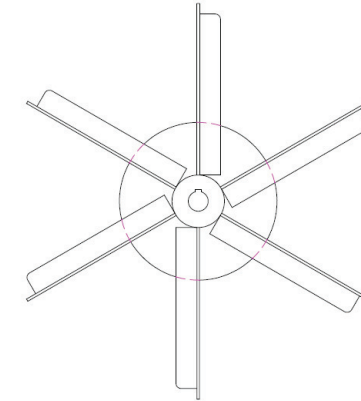
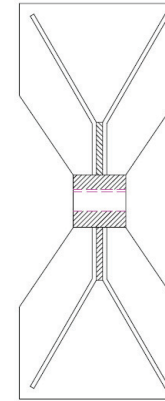
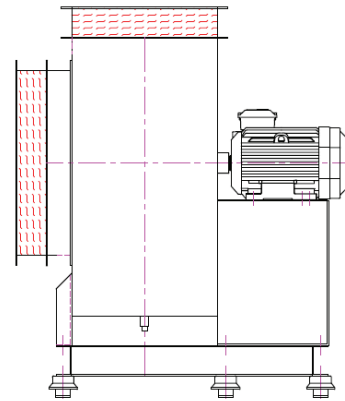
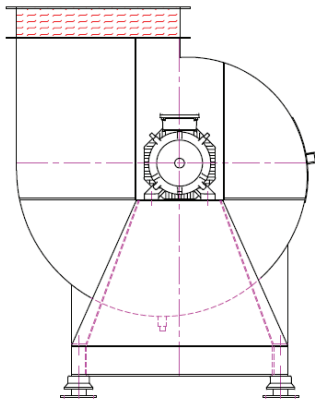
### CRD (Centrifugal Radial Dust)

Our CRD units are the real work horses of our fan range, and are the type of fan that are manufactured from thick and heavy gauge steel, designed to handle larger amounts of Dust, Paper, Wood chippings, and even abrasive materials when manufactured using wear resistant materials such as HARDOX , Red Diamond & ABRO.

*\*All our fans come in Belt or Direct drive arrangements and are covered by a 1Year Manufacturers Warranty.*

CRD - (SISW) Single Inlet Single Width ~ (Direct Drive)\*

CRD - Centrifugal Radial Impeller



A leading global specialist in industrial fans and services

