

Call Today - 0161 303 3229

Fans@Stockbridge-Airco.com



STOCKBRIDGE  
**AIRCO**  
FSS LIMITED

## FANS > Centrifugal > CMB



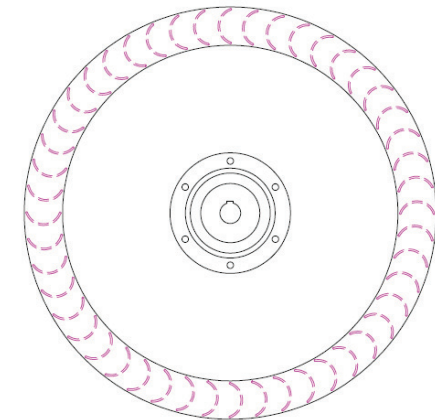
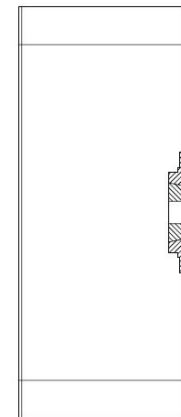
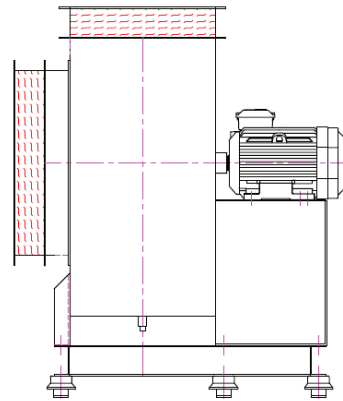
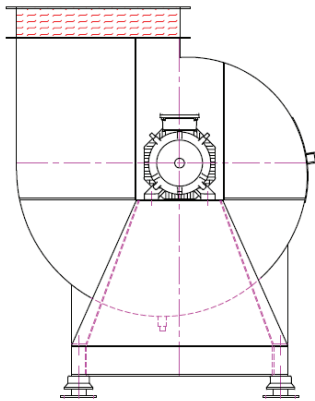
### CMB (Centrifugal Multi Blade)

The CMB design of fan contains a forward curved multi blade impeller sometimes referred to as a hamster wheel! This design is ideally suited for shifting large quantities of air at reasonably low pressures, and commonly found on Ventilation, kilns and air input fans.

*\*All our fans come in Belt or Direct drive arrangements and are covered by a 1Year Manufacturers Warranty.*

CMB - (SISW) Single Inlet Single Width ~ (Direct Drive)\*

CMB - (Single Width) Multi Blade Impeller



A leading global specialist in industrial fans and services

