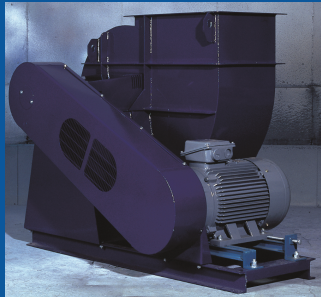


Call Today - 0161 303 3229
Fans@Stockbridge-Airco.com



STOCKBRIDGE
AIRCO
FSS LIMITED

FANS > Centrifugal > CBA



CBA (Centrifugal Backward Aerofoil)

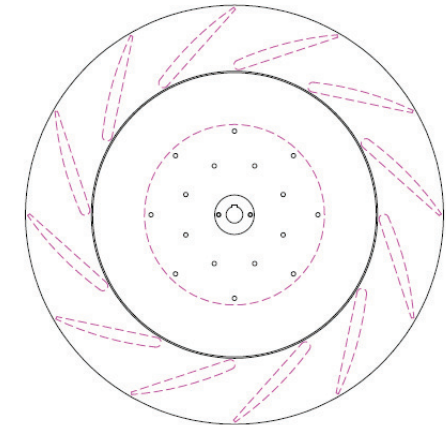
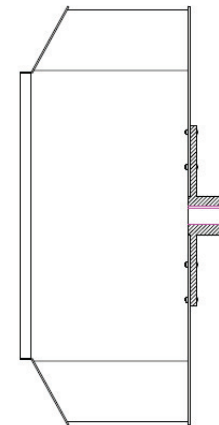
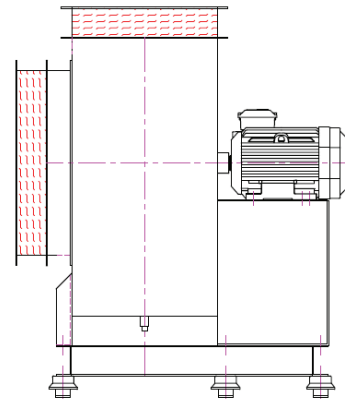
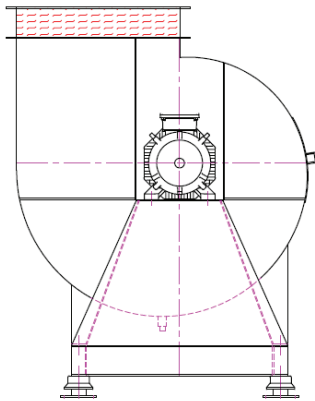
Like the CBL, the CBA range comes in numerous sizes, but with its aerofoil blade design it is more efficient, making it a more cost effective solution. Although the initial cost of the unit is more expensive, the long term cost saving due to its increased efficiency soon makes up the differential.

Please note that the aerofoil design of blade does not like dirt or particulates in the airstream, and should only really be offered for systems handling clean air.

**All our fans come in Belt or Direct drive arrangements and are covered by a 1Year Manufacturers Warranty.*

CBA - (SISW) Single Inlet Single Width ~ (Direct Drive)*

CBA - (Single Width) Backward Aerofoil Impeller



A leading global specialist in industrial fans and services

